



ENGINE AND ADAPTER

DIFFERENTIAL

TRANSMISSION

REAR FENDER AND SEAT

FRAME AND STEERING

ATTACHMENT LIFT

BRAKE AND REAR WHEEL ASSEMBLY

CONTROLS

HOOD AND ELECTRICAL

WIRING DIAGRAM

424 430 & 432 PARTS LIST



FOR MODELS 15562E1, 15563E1 AND 15564E1
FORM NUMBER 15871P1 JULY 1973
PRINTED IN UNITED STATES OF AMERICA

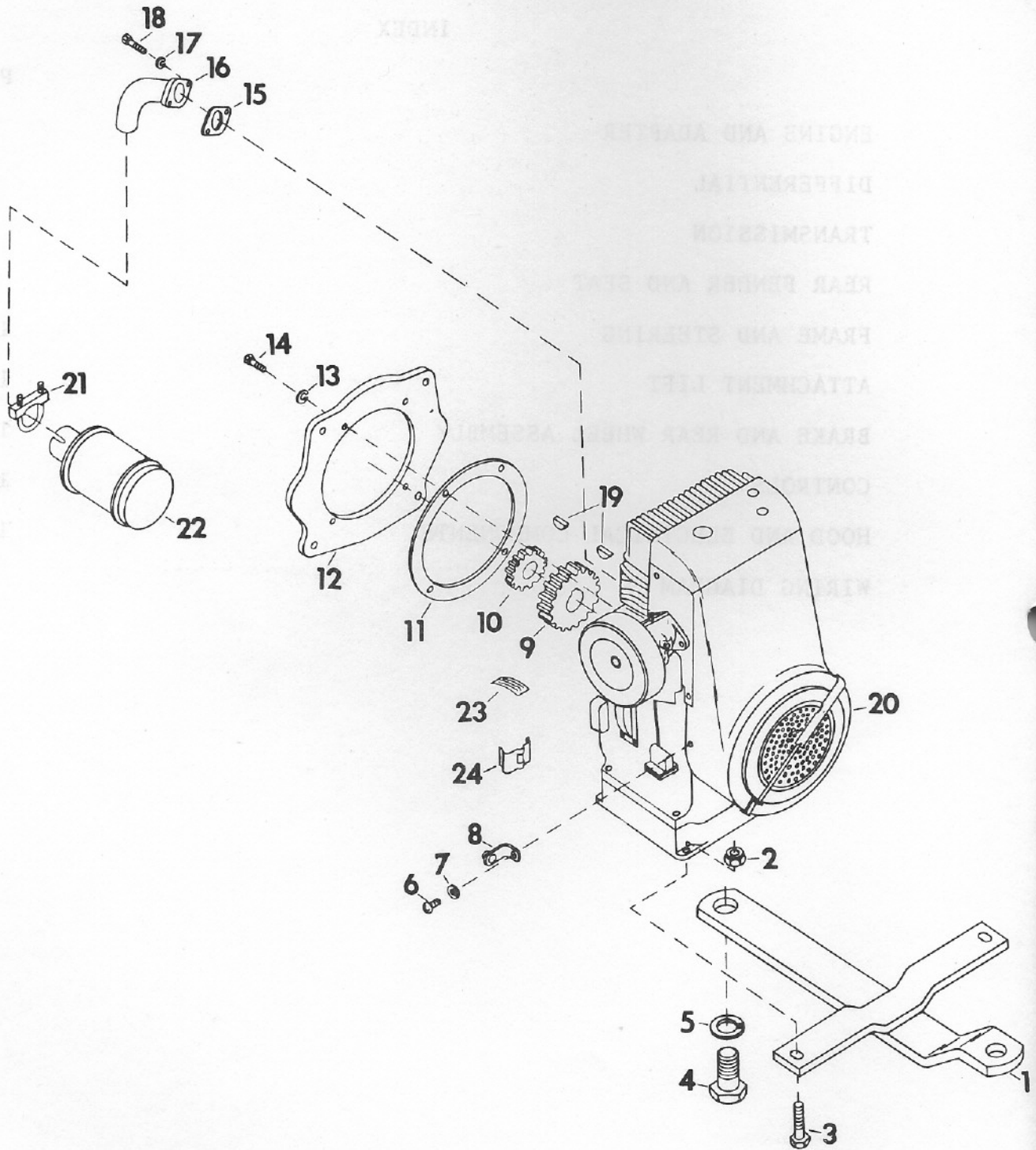
1 GRAVELY LANE
CLEMMONS, N.C. 27012

INDEX

| | Page |
|--------------------------------|------|
| ENGINE AND ADAPTER | 2 |
| DIFFERENTIAL | 4 |
| TRANSMISSION | 6 |
| REAR FENDER AND SEAT | 9 |
| FRAME AND STEERING | 10 |
| ATTACHMENT LIFT | 12 |
| BRAKE AND REAR WHEEL ASSEMBLY | 13 |
| CONTROLS | 14 |
| HOOD AND ELECTRICAL COMPONENTS | 15 |
| WIRING DIAGRAM | |

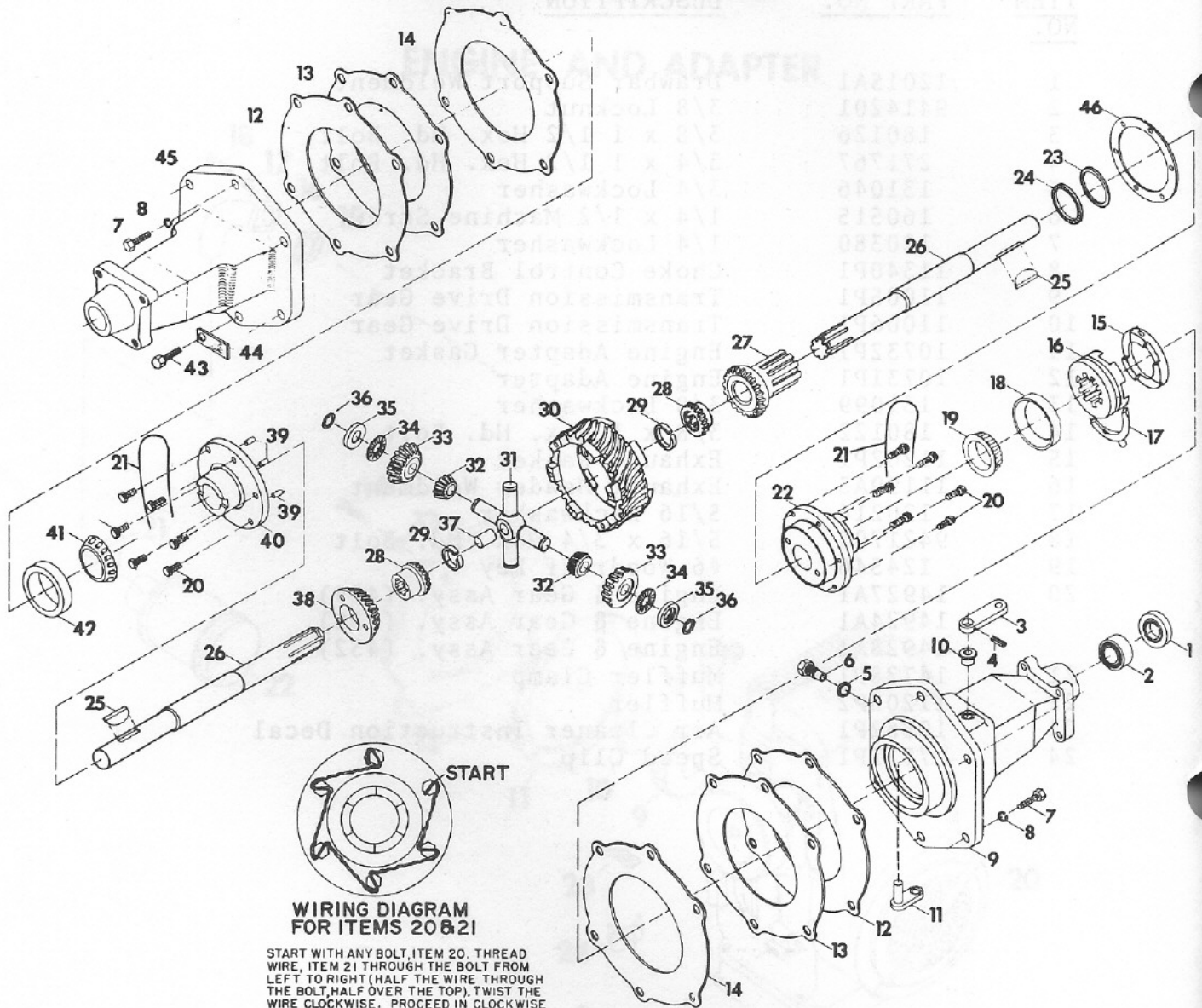
ENGINE AND ADAPTER

INDEX



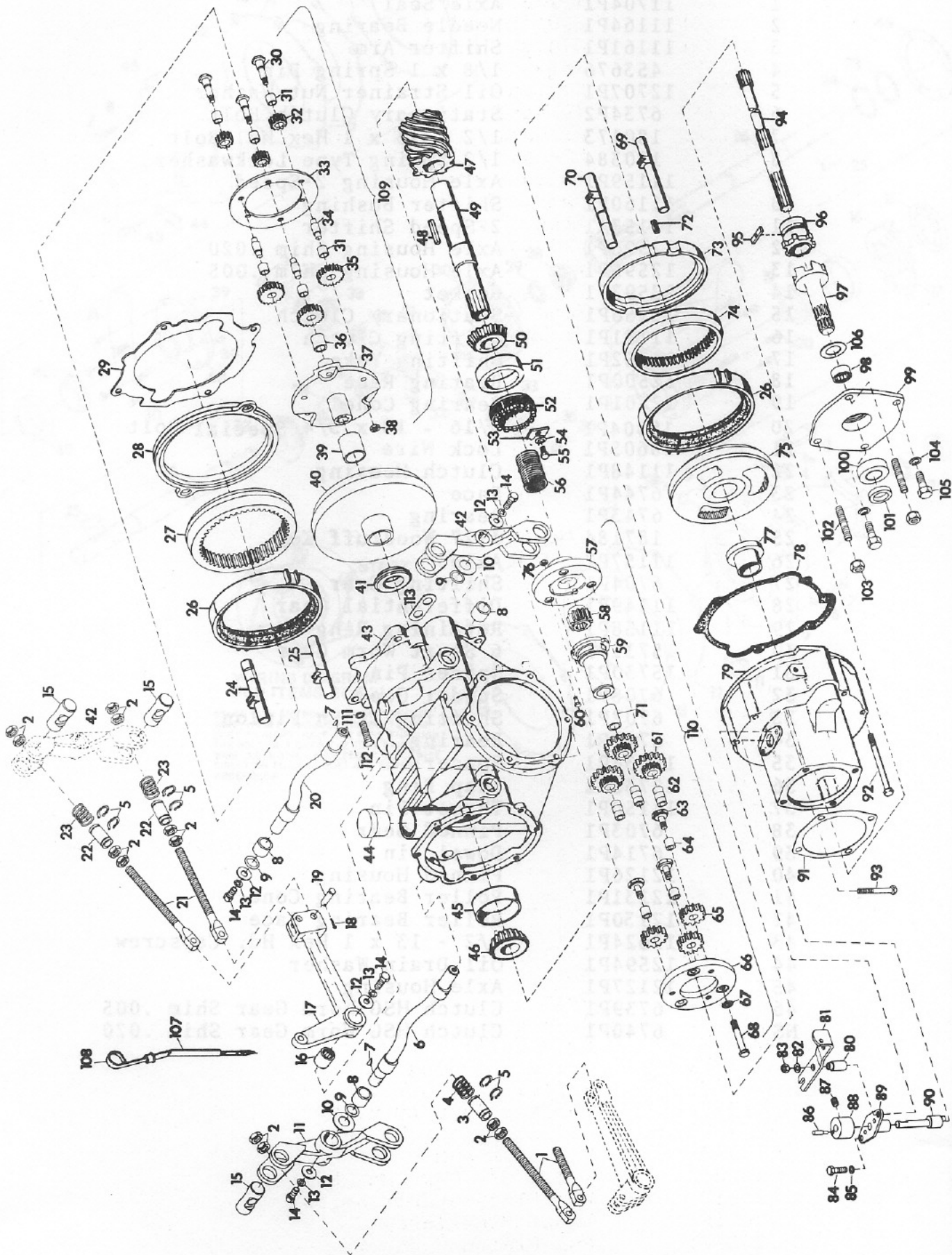
| <u>ITEM NO.</u> | <u>PART NO.</u> | <u>DESCRIPTION</u> |
|-----------------|-----------------|-------------------------------|
| 1 | 12015A1 | Drawbar Support Weldment |
| 2 | 9414201 | 3/8 Locknut |
| 3 | 180126 | 3/8 x 1 1/2 Hex. Hd. Bolt |
| 4 | 271767 | 3/4 x 1 1/2 Hex. Hd. Bolt |
| 5 | 131046 | 3/4 Lockwasher |
| 6 | 160515 | 1/4 x 1/2 Machine Screw |
| 7 | 120380 | 1/4 Lockwasher |
| 8 | 11340P1 | Choke Control Bracket |
| 9 | 11005P1 | Transmission Drive Gear |
| 10 | 11006P1 | Transmission Drive Gear |
| 11 | 10732P1 | Engine Adapter Gasket |
| 12 | 10731P1 | Engine Adapter |
| 13 | 131099 | 3/8 Lockwasher |
| 14 | 180122 | 3/8 x 1 Hex. Hd. Bolt |
| 15 | 11202P1 | Exhaust Gasket |
| 16 | 11199A3 | Exhaust Header Weldment |
| 17 | 120214 | 5/16 Lockwasher |
| 18 | 9421705 | 5/16 x 3/4 Hex. Hd. Bolt |
| 19 | 124546 | #6 Woodruff Key |
| 20 | 14927A1 | Engine & Gear Assy. (424) |
| | 14924A1 | Engine & Gear Assy. (430) |
| | 14928A1 | Engine & Gear Assy. (432) |
| 21 | 14728P1 | Muffler Clamp |
| 22 | 11203P2 | Muffler |
| 23 | 10862P1 | Air Cleaner Instruction Decal |
| 24 | 7331P1 | Speed Clip |
| 30 | | Shifting Cam |
| 31 | | Differential Case |
| 32 | | Retaining |
| 33 | | Heart Work |
| 34 | | Header P |
| 35 | | Welding |
| 36 | | Welding |
| 37 | | Welding |
| 38 | | Welding |
| 39 | | Welding |
| 40 | | Welding |
| 41 | | Welding |
| 42 | | Welding |
| 43 | | Welding |
| 44 | | Welding |
| 45 | | Welding |
| 46 | | Welding |
| NS | | Welding |

DIFFERENTIAL



| <u>ITEM NO.</u> | <u>PART NO.</u> | <u>DESCRIPTION</u> |
|-----------------|-----------------|--------------------------------|
| 1 | 11704P1 | Axle Seal |
| 2 | 11164P1 | Needle Bearing |
| 3 | 11161P1 | Shifter Arm |
| 4 | 453676 | 1/8 x 1 Spring Pin |
| 5 | 12707P1 | Oil Strainer Nut Washer |
| 6 | 6734P2 | Stationary Clutch Bolt |
| 7 | 180173 | 1/2 - 13 x 1 Hex Hd. Bolt |
| 8 | 120384 | 1/2 Spring Type Lockwasher |
| 9 | 11159P1 | Axle Housing 2-Speed |
| 10 | 11160P1 | Shifter Bushing |
| 11 | 11153A1 | 2-Speed Shifter |
| 12 | 12596P1 | Axle Housing Shim .020 |
| 13 | 12595P1 | Axle Housing Shim .005 |
| 14 | 12597P1 | Gasket |
| 15 | 11156P1 | Stationary Clutch |
| 16 | 11151P1 | Shifting Clutch |
| 17 | 11152P1 | Shifting Yoke |
| 18 | 12500P1 | Bearing Race |
| 19 | 12501P1 | Bearing Cone |
| 20 | 18604P1 | 5/16 - 18 x 3/4 Special Bolt |
| 21 | 18605P1 | Lock Wire |
| 22 | 11148P1 | Clutch Housing |
| 23 | 6744P1 | Race |
| 24 | 6743P1 | Bearing |
| 25 | 187184 | #127 Woodruff Key |
| 26 | 11157P2 | Axle |
| 27 | 6704P1 | Shifting Gear |
| 28 | 11149P1 | Differential Gear |
| 29 | 11158P1 | Retaining Ring |
| 30 | 15731P1 | 6 Start Worm Gear |
| 31 | 15730P1 | Spider Pin |
| 32 | 6708P1 | Spider Gear |
| 33 | 6702P1 | Shifting Train Pinion |
| 34 | 6741P1 | Bearing |
| 35 | 15734P1 | Spacer |
| 36 | 15733P1 | Snap Ring |
| 37 | 11150P1 | Thrust Pin |
| 38 | 6703P1 | Pinned Gear |
| 39 | 6714P1 | Dowel Pin |
| 40 | 12126P1 | Pinned Housing |
| 41 | 12131P1 | Roller Bearing Cone |
| 42 | 12130P1 | Roller Bearing Race |
| 43 | 13624P1 | 1/2 - 13 x 1 Hex Hd. Capscrew |
| 44 | 12594P1 | Oil Drain Washer |
| 45 | 12127P1 | Axle Housing |
| 46 | 6739P1 | Clutch HSG Worm Gear Shim .005 |
| NS | 6740P1 | Clutch HSG Worm Gear Shim .020 |

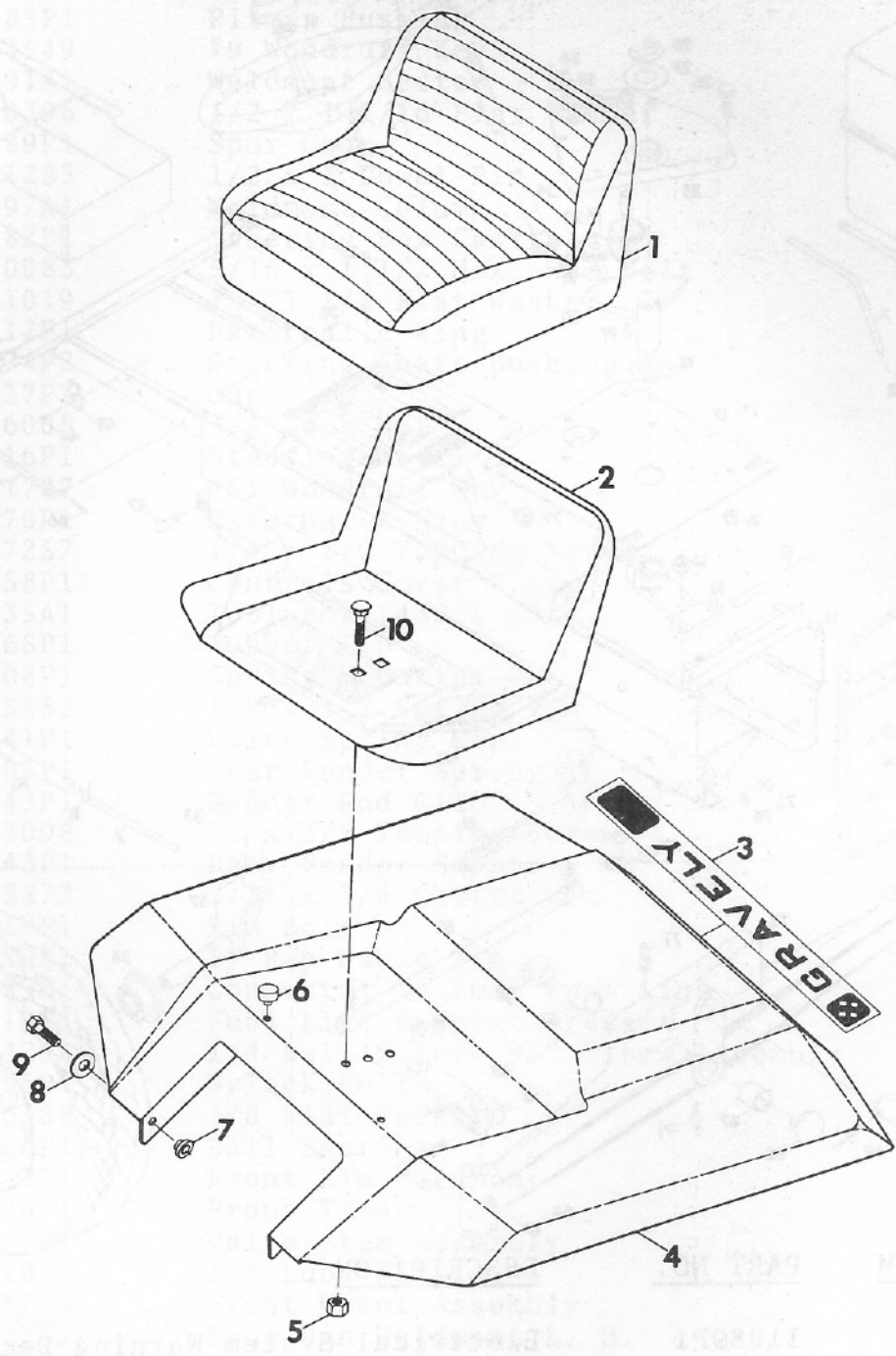
TRANSMISSION



| <u>ITEM NO.</u> | <u>PART NO.</u> | <u>DESCRIPTION</u> |
|-----------------|-----------------|--------------------------------|
| 1 | 11070P1 | Fwd.-Rev. Clutch Rod |
| 2 | 120238 | 1/2 Hex. Jam Nut |
| 3 | 11067P1 | Clutch Spring Tube |
| 4 | 11065P1 | Clutch Spring (Fwd:Rev) |
| 5 | 11069P1 | Retaining Clip |
| 6 | 11146P1 | Clutch Actuating Shaft, Front |
| 7 | 124549 | #9 Woodruff Key |
| 8 | 10618P1 | Actuating Shaft Bushing |
| 9 | 10663P1 | "O" Ring |
| 10 | 131017 | 13/16 Flatwasher |
| 11 | 11060P1 | Fwd.-Rev. Clutch Lever |
| 12 | 12694P1 | Plain Washer |
| 13 | 120423 | 1/4 Lockwasher |
| 14 | 180016 | 1/4 x 1/2 Hex. Hd. Bolt |
| 15 | 11064P1 | Clutch Rod Pivot |
| 16 | 11063P1 | Needle Bearing |
| 17 | 11062P1 | Hi-Lo Clutch Link |
| 18 | 103373 | 3/32 x 3/4 Cotter Pin |
| 19 | 7020P1 | Clevis Pin |
| 20 | 11147P1 | Clutch Actuating Shaft, Rear |
| 21 | 11079P1 | Hi-Lo Clutch Rod |
| 22 | 11068P1 | Clutch Spring Tube |
| 23 | 11066P1 | Clutch Spring (Hi-Lo) |
| 24 | 11185P1 | Clutch Slide Rod, R.H. |
| 25 | 11184P1 | Clutch Slide Rod, L.H. |
| 26 | 12644A1 | Clutch Cup |
| 27 | 11182P1 | Rear Ring Gear |
| 28 | 11183P1 | Rear Spacer |
| 29 | 10635P1 | Gasket |
| 30 | 11181P1 | Orbit Gear Pin |
| 31 | 11177P1 | Orbit Gear Bushing |
| 32 | 11179A1 | Orbit Gear Assembly |
| 33 | 11178P1 | Pin Spacer |
| 34 | 11174P1 | Orbit Gear Pin |
| 35 | 11175A1 | Orbit Gear Assembly |
| 36 | 11172P1 | Planet Carrier Bushing |
| 37 | 11171A1 | Planet Gear Carrier Assembly |
| 38 | 11342P1 | 5/16 Lock Nut L.H. THD. |
| 39 | 11169P1 | Ring Gear Bushing |
| 40 | 11168A1 | Ring Gear and Bushing Assembly |
| 41 | 12645P1 | Thrust Plate |
| 42 | 11061P1 | Hi-Lo Clutch Lever |
| 43 | 11188P1 | Chassis |
| 44 | 10617P1 | Oil Filler Plug |
| 45 | 10390P1 | Roller Bearing Cup |
| 46 | 10389P1 | Roller Bearing Cone |
| 47 | 13495P1 | Worm 6 Lead |
| 48 | 12668P1 | Worm Key |
| 49 | 12647P1 | Worm Shaft |
| 50 | 12332P1 | Roller Bearing Cone |
| 51 | 12333P1 | Roller Bearing Cup |
| 52 | 12635P1 | Bearing Adjustment Nut |
| 53 | 12648P1 | Adjusting Nut Lock |
| 54 | 120423 | 1/4 Lockwasher |
| 55 | 180018 | 1/4 x 5/8 Hex. Hd. Bolt |
| 56 | 12663P1 | Pin Plate Spacer Spring |
| 57 | 12633P2 | Front Pin Plate |
| 58 | 12637P1 | Sun Pinion |
| 59 | 12653P1 | Pin Plate Quill |

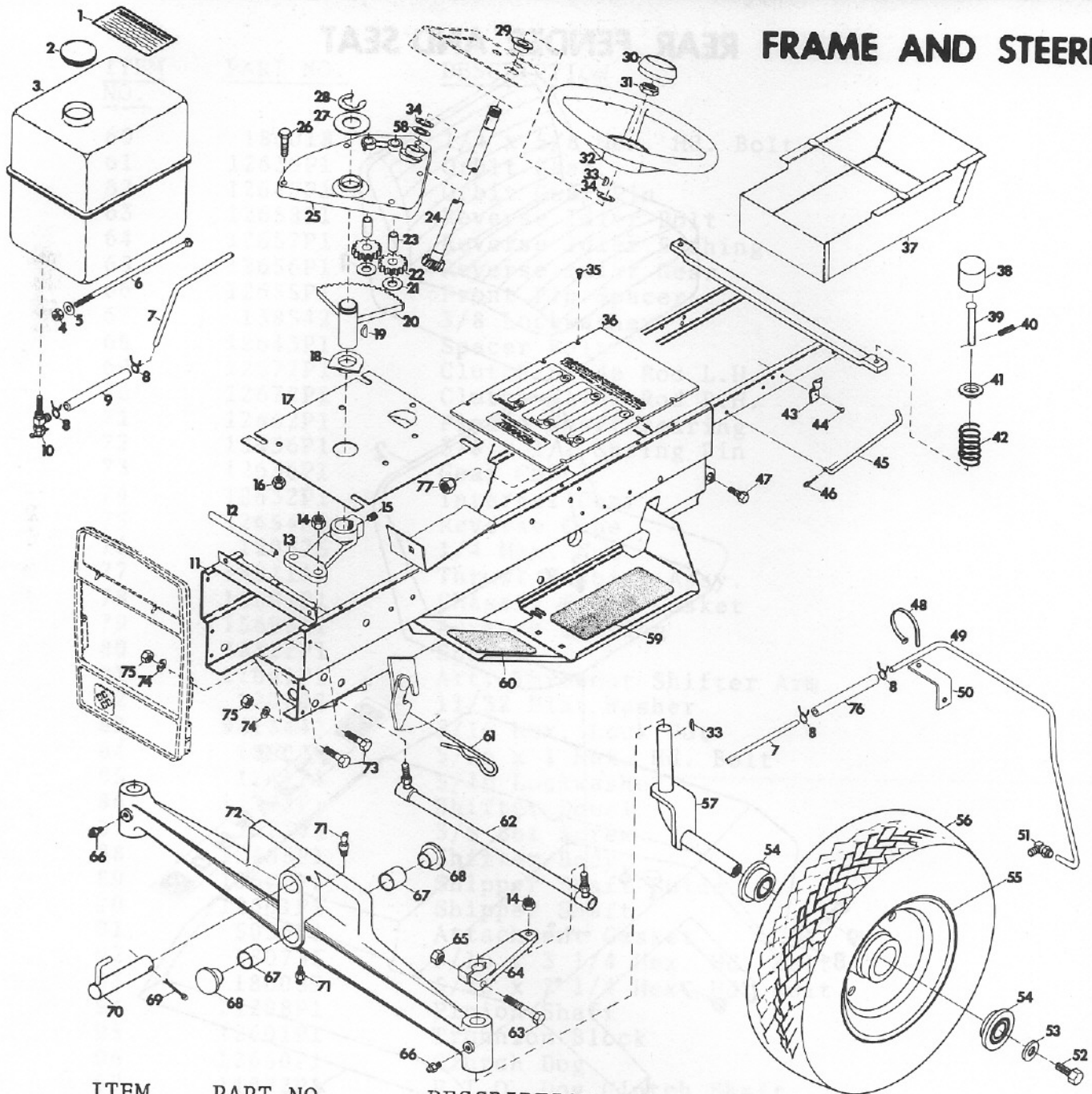
| <u>ITEM NO.</u> | <u>PART NO.</u> | <u>DESCRIPTION</u> |
|-----------------|-----------------|-----------------------------|
| 60 | 180018 | 1/4 x 5/8 Hex. Hd. Bolt |
| 61 | 12639P1 | Orbit Gear |
| 62 | 12640P1 | Orbit Gear Pin |
| 63 | 12658P1 | Reverse Idler Bolt |
| 64 | 12657P1 | Reverse Idler Bushing |
| 65 | 12656P1 | Reverse Idler Gear |
| 66 | 12655P1 | Front Pin Spacer |
| 67 | 138542 | 3/8 Lockwasher |
| 68 | 12643P1 | Spacer Bolt |
| 69 | 12677P1 | Clutch Slide Rod L.H. |
| 70 | 12678P1 | Clutch Slide Rod R.H. |
| 71 | 12662P1 | Pinion Shaft Bearing |
| 72 | 13456P1 | 3/8 x 1/2 Spring Pin |
| 73 | 12636P1 | Gear Cup |
| 74 | 12632P1 | Internal Gear |
| 75 | 12654P1 | Reverse Cone |
| 76 | 120375 | 1/4 Hex. Nut |
| 77 | 14921A1 | Thrust Bushing Assy. |
| 78 | 12591P1 | Chassis Front Gasket |
| 79 | 15695A1 | Advance Casting |
| 80 | 12322P1 | Spacer |
| 81 | 11091P1 | Att. Throwout Shifter Arm |
| 82 | 120393 | 11/32 Flat Washer |
| 83 | 9413447 | 5/16 Hex. Lock Nut |
| 84 | 180079 | 5/16 x 1 Hex. Hd. Bolt |
| 85 | 120214 | 5/16 Lockwasher |
| 86 | 12320P1 | Shifter Dowel |
| 87 | 102592 | 3/8 Set Screw |
| 88 | 12408P1 | Shifter Body |
| 89 | 10687P2 | Shipper Shaft Guide |
| 90 | 12661P1 | Shipper Shaft |
| 91 | 5056P1 | Attachment Gasket |
| 92 | 180735 | 5/16 x 3 1/4 Hex. Hd. Bolt |
| 93 | 180089 | 5/16 x 2 1/4 Hex. Hd. Bolt |
| 94 | 11298P1 | Pinion Shaft |
| 95 | 12601P1 | Trunnion Block |
| 96 | 12660P1 | Clutch Dog |
| 97 | 11872P1 | P.T.O. Dog Clutch Shaft |
| 98 | 11227P1 | Needle Bearing |
| 99 | 14612P1 | Advance Casting Cover Plate |
| 100 | 11293P1 | Ball Bearing |
| 101 | 11841P1 | Spacer |
| 102 | 11187P1 | Stud |
| 103 | 120378 | 1/2 Hex. Nut |
| 104 | 120384 | 1/2 Lockwasher |
| 105 | 180175 | 1/2 x 1 1/4 Hex. Hd. Bolt |
| 106 | 11983P1 | Thrust Bearing |
| 107 | 10586P1 | Dip Stick Guide |
| 108 | 10622P1 | Dip Stick Assy. |
| 109 | 14615A1 | Hi-Lo Planetary Assembly |
| 110 | 14922A1 | Fwd.-Rev. Planetary Assy. |
| 111 | 131100 | 7/16 Lockwasher |
| 112 | 180147 | 7/16 x 1 1/4 Hex. Hd. Bolt |
| 113 | 12285P1 | Cable Retainer |

REAR FENDER AND SEAT



| <u>ITEM NO.</u> | <u>PART NO.</u> | <u>DESCRIPTION</u> |
|-----------------|-----------------|--|
| 1 | 11659P1 | Seat Pad |
| 2 | 11658P1 | Seat Pan |
| 3 | 11236P1 | Hood and Fender Name Plate Decal (424) |
| | 11905P1 | Hood and Fender Name Plate Decal (430) |
| | 12534P1 | Hood and Fender Name Plate Decal (432) |
| 4 | 10970A1 | Rear Fender Weldment |
| 5 | 435507 | 1/2 Lock Nut |
| 6 | 11352P1 | Bumper |
| 7 | 11138P1 | Rear Fender Bushing |
| 8 | 120394 | 13/32 Flat Washer |
| 9 | 181637 | 3/8 x 1 Hex. Hd. Bolt |
| 10 | 126485 | 1/2 x 1 1/4 Carriage Bolt |

FRAME AND STEERING

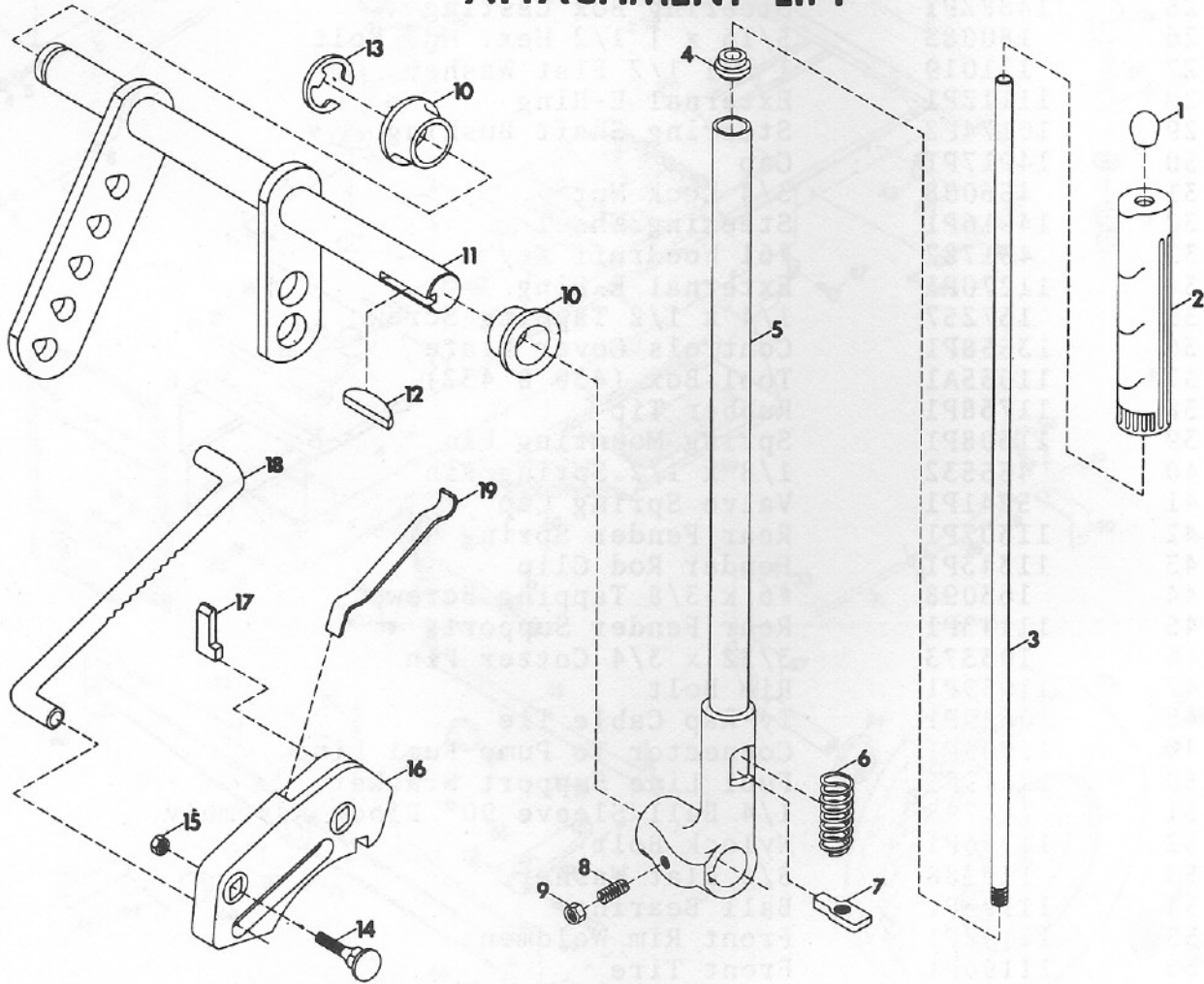


| ITEM NO. | PART NO. | DESCRIPTION |
|----------|----------|---------------------------------|
| 1 | 11989P1 | Electrical System Warning Decal |
| 2 | 7289P1 | Fuel Cap |
| 3 | 12383P1 | Fuel Tank |
| 4 | 9419455 | 5/16 Lock Nut |
| 5 | 120393 | 11/32 Flat Washer |
| 6 | 15823P1 | 5/16 x 12 Carriage Bolt |
| 7 | 12382P1 | Fuel Line |
| 8 | 7216P1 | Fuel Hose Clamp |
| 9 | 12544P1 | Fuel Hose |
| 10 | 7354P1 | Valve and Strainer |
| 11 | 14915A1 | Main Frame Weldment |
| 12 | 14897P1 | Moulding |
| 13 | 14890P1 | Steering Pitman |
| 14 | 192481 | 3/8 Lock Nut |
| 15 | 102597 | 3/8 x 1 Set Screw |
| NS | 124829 | 3/8 Hex. Jam Nut |
| 16 | 9419455 | 5/16 Lock Nut |
| 17 | 14883P1 | Mounting Plate |
| NS | 180075 | 5/16 x 5/8 Hex. Hd. Bolt |

| | | |
|-----|---------|------------------------------------|
| NS | 120393 | 13/32 Flat Washer |
| NS | 9415988 | 5/16 Lock Nut |
| 18 | 14885P1 | Pitman Bushing |
| 19 | 124549 | #9 Woodruff Key |
| 20 | 14891A1 | Weldment Sector |
| 21 | 120396 | 1/2 x 1 1/16 Flat Washer |
| 22 | 14889P1 | Spur Gear |
| 23 | 141283 | 1/2 x 1 Dowel Pin |
| 24 | 14892A1 | Weldment Column |
| 25 | 14882P1 | Steering Box Casting |
| 26 | 180083 | 5/16 x 1 1/2 Hex. Hd. Bolt |
| 27 | 131019 | 1 x 1 1/2 Flat Washer |
| 28 | 11112P1 | External E-Ring |
| 29 | 10174P2 | Steering Shaft Bushing |
| 30 | 14917P1 | Cap |
| 31 | 456008 | 3/4 Lock Nut |
| 32 | 14916P1 | Steering Wheel |
| 33 | 431787 | #61 Woodruff Key |
| 34 | 11270P1 | External E-Ring |
| 35 | 167257 | 1/4 x 1/2 Tapping Screw |
| 36 | 13558P1 | Controls Cover Plate |
| 37* | 11035A1 | Tool Box (430 & 432) |
| 38 | 11768P1 | Rubber Tip |
| 39 | 11308P1 | Spring Mounting Pin |
| 40 | 455532 | 1/8 x 1/2 Spring Pin |
| 41 | 5741P1 | Valve Spring Cap |
| 42 | 11307P1 | Rear Fender Spring |
| 43 | 11343P1 | Fender Rod Clip |
| 44 | 163098 | #6 x 3/8 Tapping Screw |
| 45 | 11143P1 | Rear Fender Support |
| 46 | 103373 | 3/32 x 3/4 Cotter Pin |
| 47 | 11059P1 | Rim Bolt |
| 48 | 10629P1 | Ty-Rap Cable Tie |
| 49 | 12009P1 | Connector To Pump Fuel Line |
| 50 | 12019P1 | Fuel Line Support Bracket |
| 51 | 114798 | 1/4 Ball Sleeve 90° Elbow Assembly |
| 52 | 11196P1 | Nylock Bolt |
| 53 | 120388 | 3/8 Flat Washer |
| 54 | 11193P1 | Ball Bearing |
| 55 | 11192P1 | Front Rim Weldment |
| 56 | 11190P1 | Front Tire |
| NS | 11191P1 | Valve Stem Assembly |
| NS | 9411027 | 1/4 Lube Fitting |
| NS | 11189A1 | Front Wheel Assembly |
| 57 | 14433A1 | King Pin Weldment L. H. |
| NS | 14434A1 | King Pin Weldment R. H. |
| 58 | 131017 | 13/16 x 1 1/2 Flat Washer |
| 59 | 11653P1 | Foot Board Cover |
| 60 | 11654P1 | Foot Board Cover |
| 61 | 10405P1 | Hair Pin Cotter |
| 62 | 11130P1 | Tie Rod Assembly |
| 63 | 180132 | 3/8 x 2 1/4 Hex. Hd. Bolt |
| 64 | 11127P1 | Tie Rod Arm |
| 65 | 120377 | 3/8 Hex. Nut |
| 66 | 9411027 | 1/4 Lube Fitting |
| 67 | 11310P1 | Bushing |
| 68 | 11311P1 | Cap |
| 69 | 103420 | 1/4 x 1 1/2 Cotter Pin |
| 70 | 14624A1 | Axle Pivot Weldment |
| 71 | 9411031 | 1/4 - 45° Lube Fitting |
| 72 | 14435A1 | Axle and Bushing Assembly |
| 73 | 180079 | 5/16 x 1 Hex. Hd. Bolt |
| 74 | 120214 | 5/16 Lock Washer |

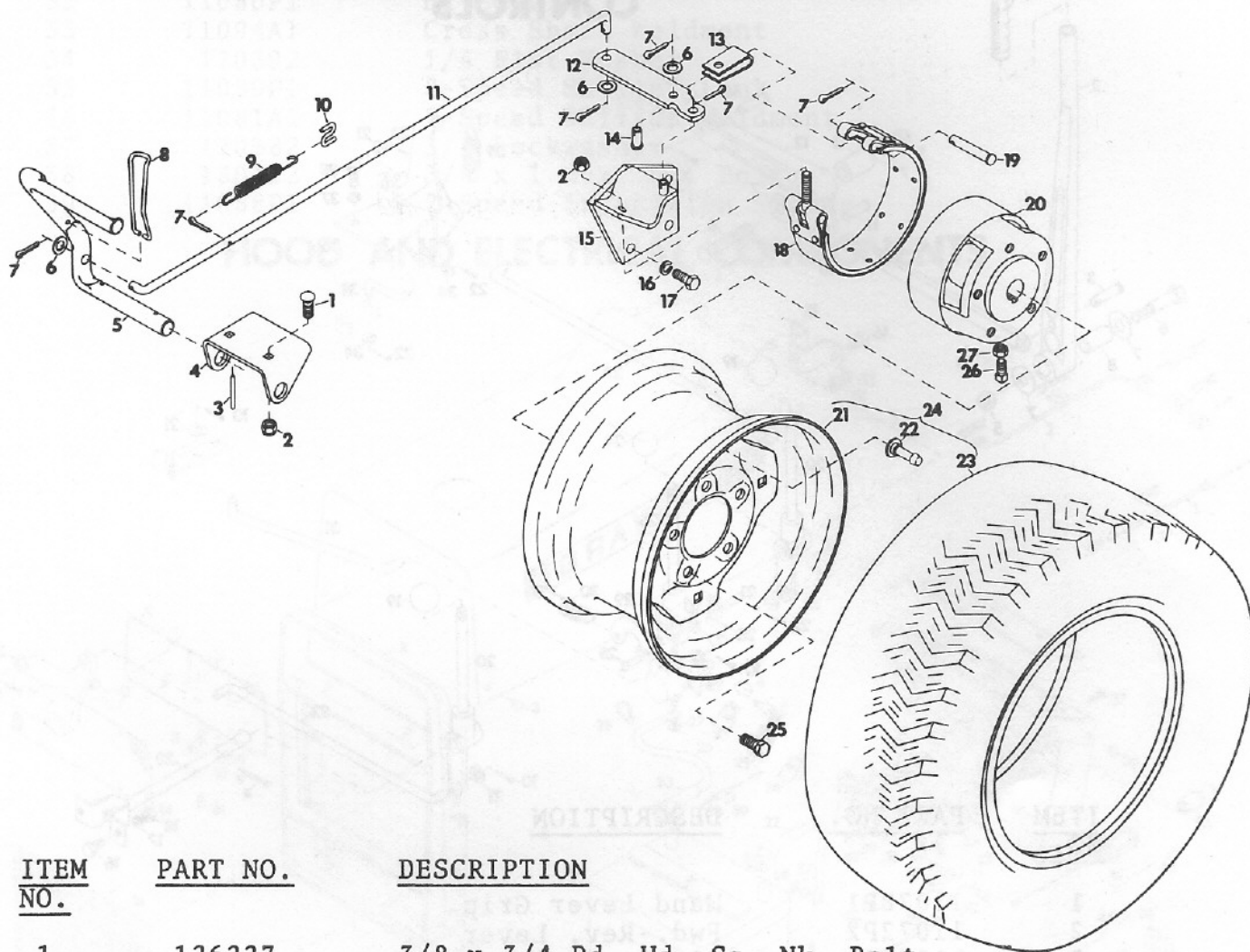
| <u>ITEM NO.</u> | <u>PART NO.</u> | <u>DESCRIPTION</u> |
|-----------------|-------------------------|---------------------|
| 75 | 120376 | 5/16 Hex. Nut |
| 76 | 12714P1 | Fuel Line Connector |
| 77 | 11058P1 | Rim Nut |
| * | 430 & 432 Tractors Only | |

ATTACHMENT LIFT



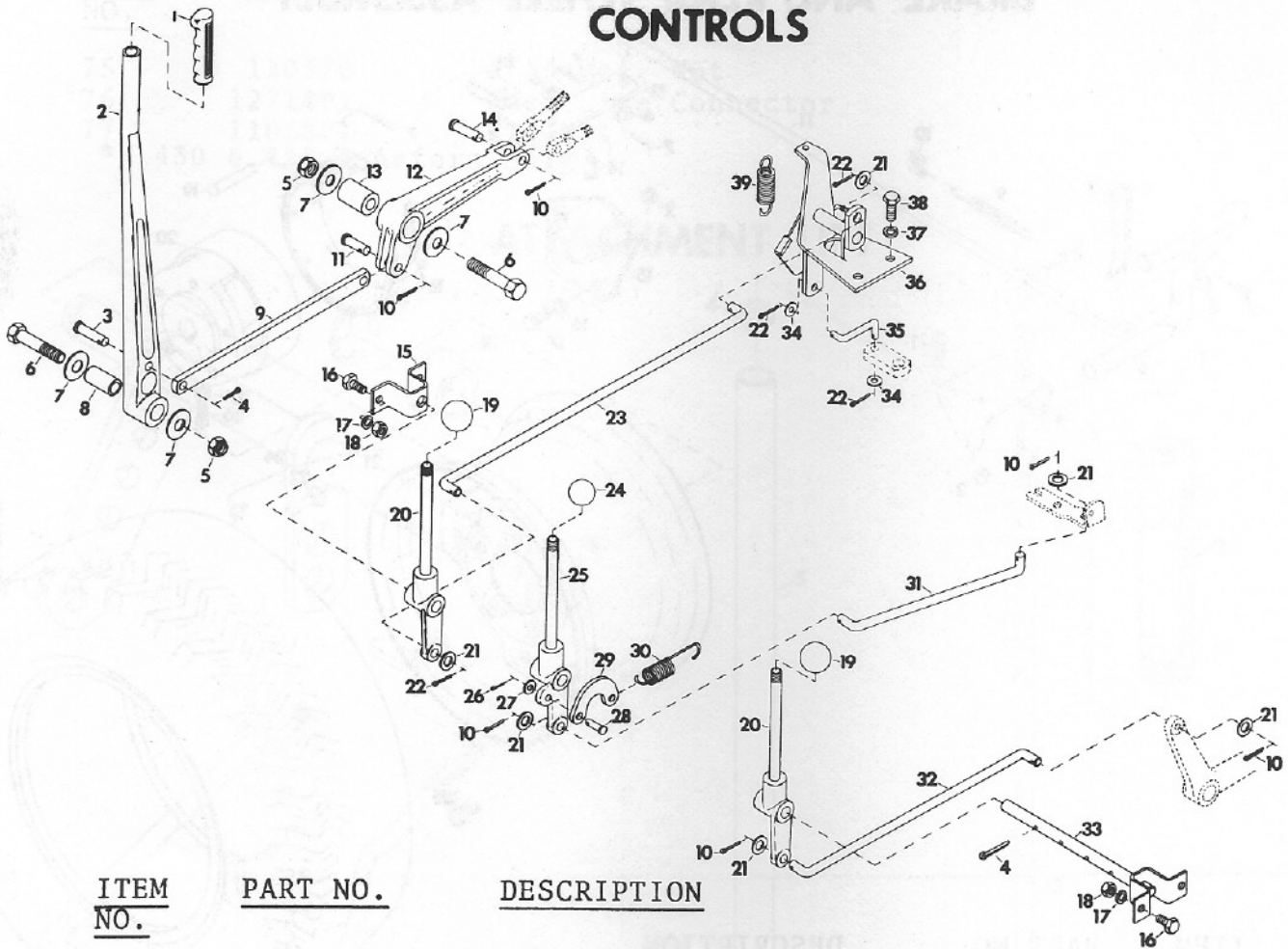
| <u>ITEM NO.</u> | <u>PART NO.</u> | <u>DESCRIPTION</u> |
|-----------------|-----------------|----------------------------|
| 1 | 11120P1 | Push Rod Tip |
| 2 | 11119P1 | Flex Grip |
| 3 | 11118P1 | Lever Push Rod |
| 4 | 11117P1 | Push Rod Guide |
| 5 | 11113A1 | Lift Lever Assembly |
| 6 | 10682P1 | 2-Speed Compression Spring |
| 7 | 11116P1 | Lever Pawl |
| 8 | 102597 | 3/8 x 1 Set Screw |
| 9 | 124829 | 3/8 Hex Nut |
| 10 | 11111P1 | Pivot Bushing |
| 11 | 11107A1 | Lift Lever Shaft Weldment |
| 12 | 187184 | #127 Woodruff Key |
| 13 | 11112P1 | E-Ring |
| 14 | 180124 | 3/8 x 1 1/4 Hex. Hd. Bolt |
| 15 | 456004 | 3/8 Lock Nut |
| 16 | 11103P1 | Locator Casting |
| 17 | 11106P1 | Lever Stop |
| 18 | 11104P1 | Lever Stop Rod |
| 19 | 11105P1 | Stop Spring |

BRAKE AND REAR WHEEL ASSEMBLY



| <u>ITEM NO.</u> | <u>PART NO.</u> | <u>DESCRIPTION</u> |
|-----------------|-----------------|--------------------------------|
| 1 | 126227 | 3/8 x 3/4 Rd. Hd. Sq. Nk. Bolt |
| 2 | 456004 | 3/8 Locknut |
| 3 | 454668 | 3/16 x 1 1/4 Spring Pin |
| 4 | 11021P1 | Brake Pedal Bracket |
| 5 | 11008P1 | Brake Pedal L.H. |
| NS | 11009P1 | Brake Pedal R.H. |
| 6 | 120394 | 13/32 x 13/16 Flat Washer |
| 7 | 177923 | Cotter Pin |
| 8 | 11022P1 | Brake Stop |
| 9 | 11263P1 | Spring |
| 10 | 11329P1 | Spring Clip |
| 11 | 11020P1 | Brake Rod |
| 12 | 11012P1 | Brake Lever |
| 13 | 11014P1 | Brake Clip |
| 14 | 11011P1 | Clevis Pin |
| 15 | 11017A1 | Brake Support Weldment L.H. |
| NS | 11331A1 | Brake Support Weldment R.H. |
| 16 | 120382 | 3/8" Lockwasher |
| 17 | 180122 | 3/8 x 1 Hex. Hd. Bolt |
| 18 | 11023A1 | Brake Band Assembly |
| 19 | 7072P1 | Clevis Pin |
| 20 | 11167P1 | Wheel Hub |
| 21 | 11195P1 | Rear Rim Weldment |
| 22 | 11191P1 | Valve Stem Assembly |
| 23 | 11194P1 | Rear Tire |
| 24 | 11705A1 | Rear Wheel Assembly |
| 25 | 12744P1 | Wheel Hub Bolts |
| 26 | 11896P1 | Special Set Screw |
| 27 | 124829 | 3/8 Hex Jam Nut |

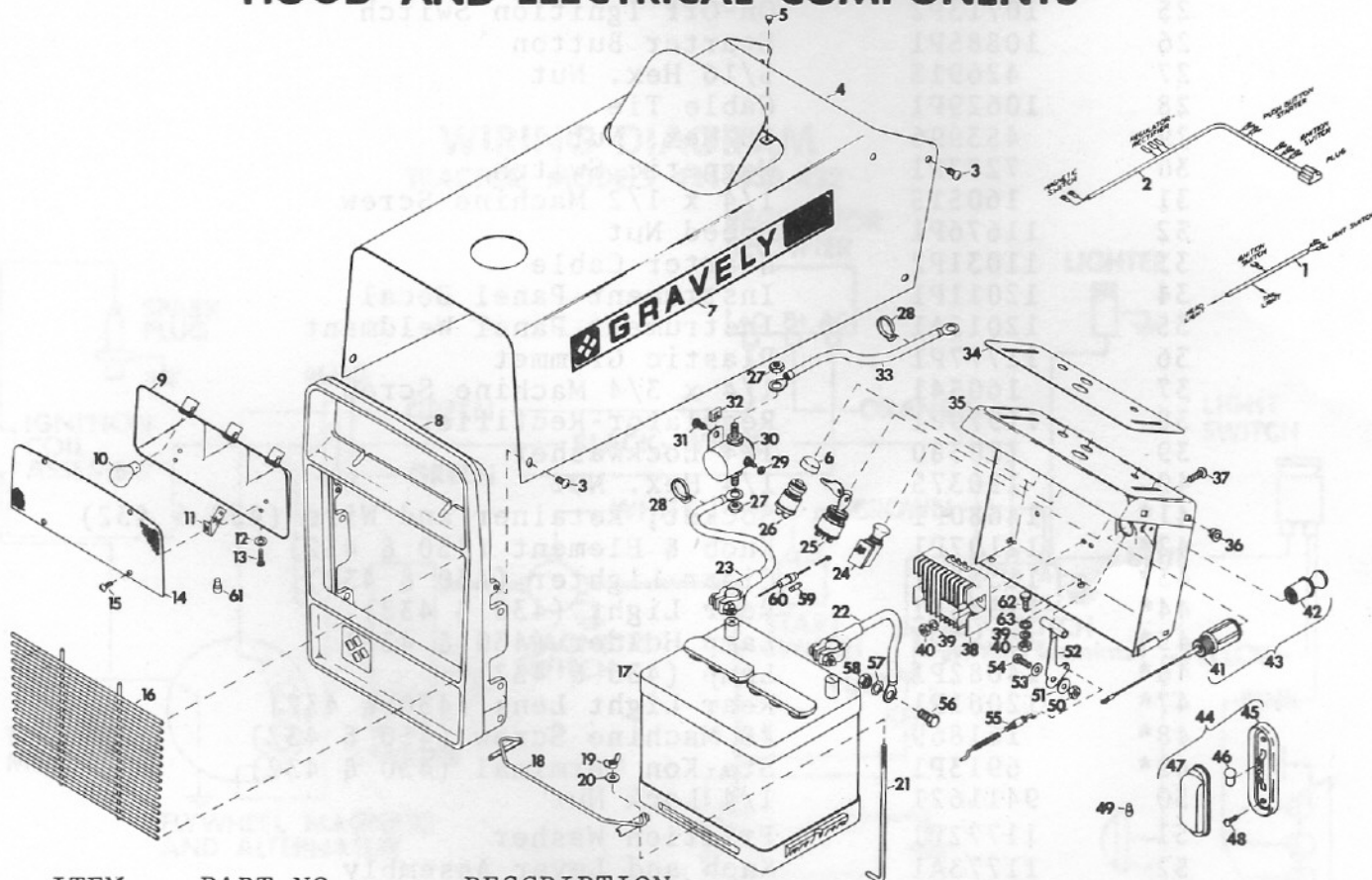
CONTROLS



| <u>ITEM NO.</u> | <u>PART NO.</u> | <u>DESCRIPTION</u> |
|-----------------|-----------------|------------------------------|
| 1 | 11078P1 | Hand Lever Grip |
| 2 | 11072P2 | Fwd.-Rev. Lever |
| 3 | 11077P1 | Clevis Pin |
| 4 | 103385 | 1/8 x 1 Cotter Pin |
| 5 | 9415993 | 1/2 Locknut |
| 6 | 181709 | 1/2 x 2 1/2 Hex. Hd. Bolt |
| 7 | 120390 | 9/16 Flat Washer |
| 8 | 11074P1 | Clutch Lever Bushing |
| 9 | 11073P1 | Fwd.-Rev. Shifter Link |
| 10 | 103373 | 3/32 x 3/4 Cotter Pin |
| 11 | 11718P1 | Clevis Pin |
| 12 | 11071P1 | Fwd.-Rev. Clutch Link |
| 13 | 11075P1 | Clutch Link Bushing |
| 14 | 11076P1 | Clevis Pin |
| 15 | 11096P1 | Control Cross Shaft Bracket |
| 16 | 180077 | 5/16 x 3/4 Hex. Hd. Bolt |
| 17 | 120214 | 5/16 Lockwasher |
| 18 | 120376 | 5/16 Hex. Nut |
| 19 | 11297P1 | Shift Lever Knob |
| 20 | 11775A1 | Control Arm & Lever Assembly |
| 21 | 120394 | 13/32 Flatwasher |
| 22 | 103362 | 1/16 x 3/4 Cotter Pin |
| 23 | 11090P1 | 2-Speed Shifter Rod |
| 24 | 10670P1 | Shift Lever Knob |
| 25 | 14227A1 | Control Arm Assembly |
| 26 | 112726 | 1/16 x 1/2 Cotter Pin |
| 27 | 446188 | 17/64 Flatwasher |
| 28 | 138077 | Clevis Pin |
| 29 | 11276P1 | Spring Link |
| 30 | 12396P1 | Spring |

| | | |
|----|---------|--------------------------|
| 31 | 11093P1 | Att. Throw-out Link |
| 32 | 11080P1 | Hi-Lo Link |
| 33 | 11094A1 | Cross Shaft Weldment |
| 34 | 120392 | 1/4 Flat Washer |
| 35 | 11089P1 | 2-Speed Shifter Link |
| 36 | 11081A1 | 2-Speed Shifter Weldment |
| 37 | 120382 | 3/8 Lockwasher |
| 38 | 180122 | 3/8 x 1 Hex. Hd. Bolt |
| 39 | 11088P1 | 2-Speed Extension Spring |

HOOD AND ELECTRICAL COMPONENTS



| <u>ITEM NO.</u> | <u>PART NO.</u> | <u>DESCRIPTION</u> |
|-----------------|-----------------|-------------------------------------|
| 1* | 11350P1 | Wire Harness (430 & 432) |
| 2 | 14678P1 | Wire Harness |
| 3 | 167257 | 1/4 x 1/2 Pan Hd. Screw |
| 4 | 15707A1 | Hood Assembly |
| 5 | 12394P1 | Nylon Button |
| 6 | 12020P1 | Starter Button Cap |
| 7 | 11236P1 | Hood Decal (424) |
| | 11905P1 | Hood Decal (430) |
| | 12534P1 | Hood Decal (432) |
| 8 | 10969P1 | Grille Casting |
| 9* | 11334A1 | Lamp Reflector Assembly (430 & 432) |
| 10* | 454646 | Lamp (430 & 432) |
| 11 | 11030P1 | Front Panel Mounting Clips |
| 12 | 120385 | 1/4 Flat Washer |
| 13 | 159947 | #10 x 3/4 Machine Screw |
| 14 | 11288P1 | Front Panel (424) |
| 14* | 11289P1 | Front Light Panel (430 & 432) |
| 15 | 159920 | #10 x 1/2 Machine Screw |
| 16 | 11057P1 | Mesh Grille Insert |
| 17 | 7274P1 | Battery |
| NS | 7270P1 | Battery Electrolyte |

| <u>ITEM NO.</u> | <u>PART NO.</u> | <u>DESCRIPTION</u> |
|-----------------|-----------------|---------------------------------------|
| 18 | 11027A1 | Battery Hold Down Bracket |
| 19 | 10413P1 | 1/4 Wing Nut |
| 20 | 120392 | 9/32 Flat Washer |
| 21 | 12386P1 | Battery Hold Down Hook |
| 22 | 6980P1 | Ground Cable |
| 23 | 14679A1 | Battery Cable |
| 24* | 11337P1 | Light Switch (430 & 432) |
| 25 | 10713P2 | On-Off Ignition Switch |
| 26 | 10885P1 | Starter Button |
| 27 | 426913 | 5/16 Hex. Nut |
| 28 | 10629P1 | Cable Tie |
| 29 | 453996 | #8 Hex. Nut |
| 30 | 7277P1 | Magnetic Switch |
| 31 | 160515 | 1/4 x 1/2 Machine Screw |
| 32 | 11676P1 | Speed Nut |
| 33 | 11031P2 | Starter Cable |
| 34 | 12011P1 | Instrument Panel Decal |
| 35 | 12012A1 | Instrument Panel Weldment |
| 36 | 11777P1 | Plastic Grommet |
| 37 | 160541 | 1/4 x 3/4 Machine Screw |
| 38 | 11979P1 | Regulator-Rectifier |
| 39 | 120380 | 1/4 Lockwasher |
| 40 | 120375 | 1/4 Hex. Nut |
| 41* | 14680P1 | Socket, Retainer and Wire (430 & 432) |
| 42* | 12107P1 | Knob & Element (430 & 432) |
| 43* | 11332A1 | Cigar Lighter (430 & 432) |
| 44* | 11338A1 | Rear Light (430 & 432) |
| 45* | 14683P1 | Lamp Holder (430 & 432) |
| 46* | 14682P1 | Lamp (430 & 432) |
| 47* | 12061P1 | Rear Light Lens (430 & 432) |
| 48* | 161869 | #8 Machine Screw (430 & 432) |
| 49* | 6913P1 | Sta-Kon Terminal (430 & 432) |
| 50 | 9411621 | 1/4 Lock Nut |
| 51 | 11772P1 | Friction Washer |
| 52 | 11773A1 | Knob and Lever Assembly |
| 53 | 11774P1 | Spring Washer |
| 54 | 9415858 | 1/4 x 3/4 Hex. Hd. Bolt |
| 55 | 11771P1 | Conduit Assembly |
| 56 | 180120 | 3/8 x 3/4 Hex. Hd. Bolt |
| 57 | 138489 | 3/8 Lockwasher |
| 58 | 120377 | 3/8 Hex. Nut |
| 59 | 147685 | 14 AMP Fuse |
| 60 | 14872A1 | Fuse Holder Assembly |
| 61 | 11763P1 | Sta-Kon Connector |
| 62 | 180018 | 1/4 x 5/8 Hex. Hd. Bolt |
| 63 | 121753 | 1/4 Lockwasher |
| NS | 11034P1 | Plug for Cigar Lighter Hole |

* 430 & 432 Tractors Only

WIRING DIAGRAM

TRACTOR MODELS 424, 430, 432

